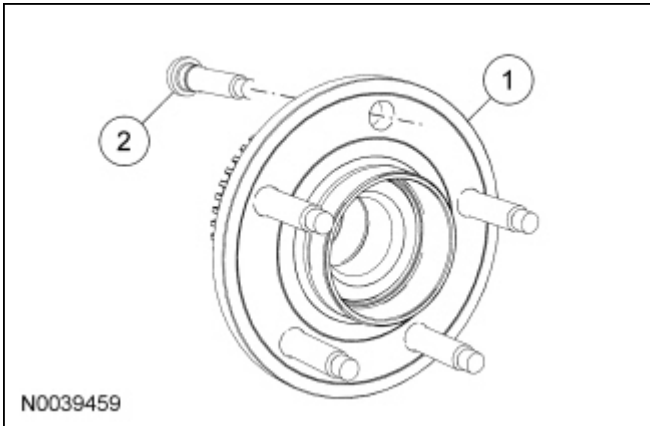


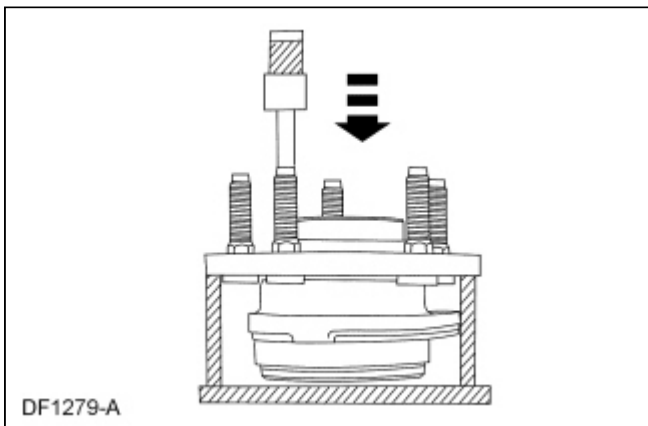
Wheel Studs



| Item | Part Number | Description |
|------|-------------|--------------------|
| 1 | 1104 | Wheel hub assembly |
| 2 | 1107 | Wheel stud |

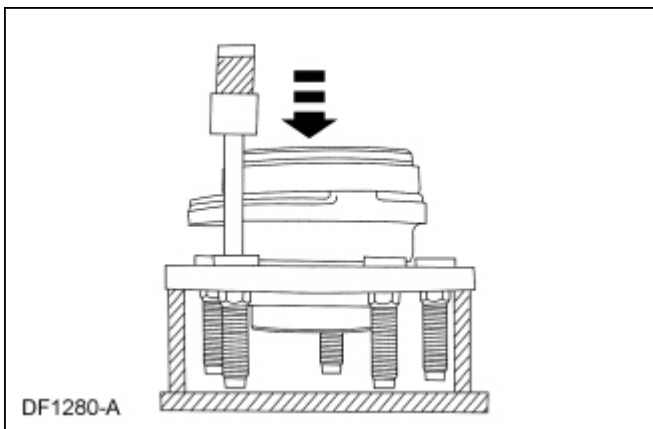
Removal

1. Remove the wheel bearing and hub assembly. For additional information, refer to [Wheel Bearing and Wheel Hub](#) in this section.
2. Using a press, remove the wheel stud from the wheel bearing and hub assembly.



Installation

1. Using a press, install a new wheel stud.



2. Install the wheel bearing and hub assembly. For additional information, refer to [Wheel Bearing and Wheel Hub](#) in this section.
-